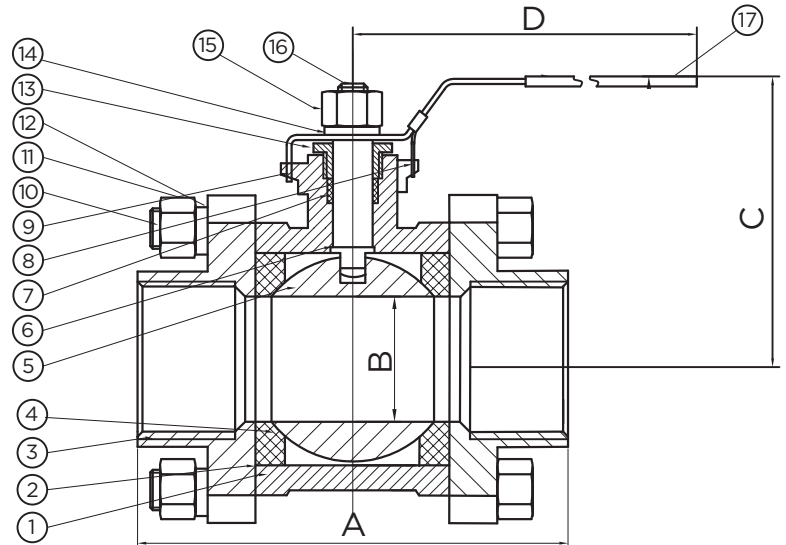


## 1000 PSI 3 PC FP BALL VALVE



### FEATURES

SIZE:	1/4" - 4"
PORT:	FULL
PRESSURE:	1000 WOG
TEMPERATURE:	-50 TO 450 F°
CONNECTION:	FEMALE NPT

### TECHNICAL SPECIFICATION

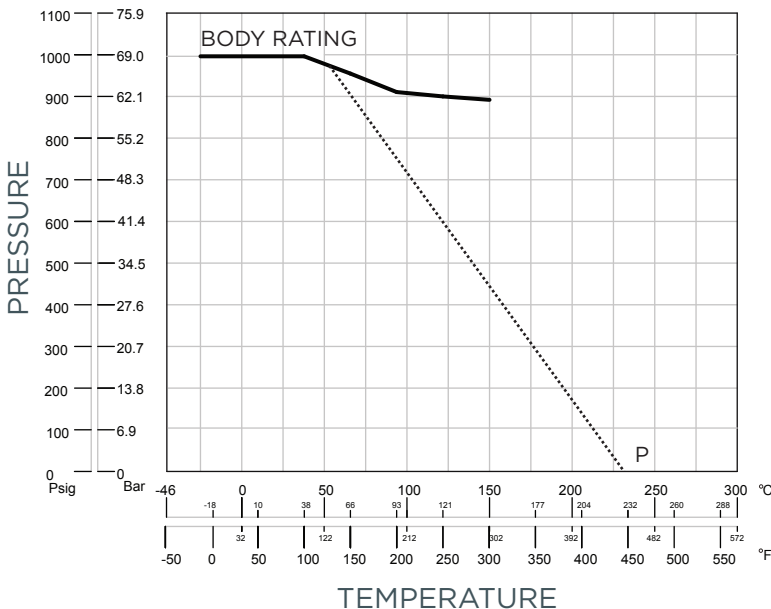
NPT THREADS AS PER ASME B1.20.1
BLOW-OUT-PROOF STEM DESIGN
LOCKING HANDLE
IN COMPLIANCE WITH NACE MR-0175
SUITABLE FOR WATER, OIL & GAS

### MATERIAL LIST

		1030SF	1030CF
1	BODY	SS304	ASTM A-216 Gr. WCB
2	BODY SEAL	VIRGIN PTFE	VIRGIN PTFE
3	CAP	SS316	ASTM A-216 Gr. WCB
4	SEAT	VIRGIN PTFE	VIRGIN PTFE
5	BALL	SS304	SS304
6	THRUST WASHER	VIRGIN PTFE	VIRGIN PTFE
7	STEM SEAL	VIRGIN PTFE	VIRGIN PTFE
8	LOCKING PAD	SS201	SS201
9	HANDLE	SS201	SS201
10	BOLT	SS	SS
11	BOLT NUT	SS	SS
12	BOLT WASHER	SS	SS
13	GLAND BUSHING	SS304	SS304
14	HANDLE WASHER	SS304	SS304
15	HANDLE NUT	A2-70	A2-70
16	STEM	SS316	SS304
17	HANDLE COVER	PVC	PVC

### TEST SPECIFICATION

TEST ACCORDANCE TO PER API 598
SHELL TEST: 1500 PSI
SEAT TEST: 1100 PSI
AIR TEST: 87 PSI



### DIMENSIONS & WEIGHT

SIZE	A	B	C	D	WEIGHT (KG)
1/4"	2.48	0.43	2.13	3.74	0.35
3/8"	2.48	0.44	2.13	3.74	0.35
1/2"	2.64	0.59	2.24	3.94	0.55
3/4"	2.87	0.79	2.76	4.72	0.75
1"	3.31	0.98	2.76	5.51	1.00
1 1/4"	3.98	1.26	3.54	6.30	1.80
1 1/2"	4.33	1.50	3.70	6.30	1.91
2"	5.12	1.97	4.13	6.93	3.03
2 1/2"	7.17	2.56	5.00	8.66	7.15
3"	8.31	3.15	5.51	9.25	10.30
4"	10.55	3.94	6.93	16.14	19.50

\*DIMENSIONS ARE EXPRESSED IN INCHES  
 \*FOR DIMENSIONS "C&D" THERE IS A TOLERANCE OF ±.24 IN, FOR "A" ±.08 IN