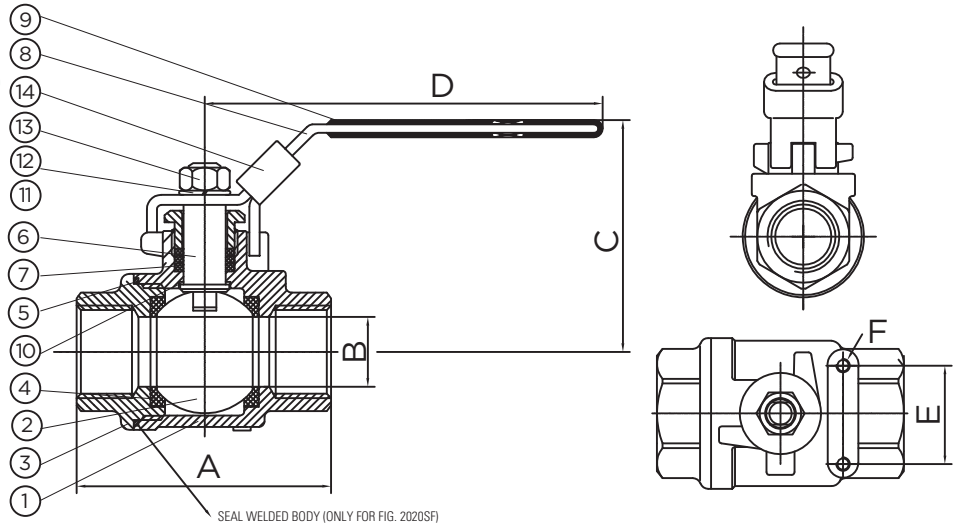


2000 PSI 2 PC FP BALL VALVE

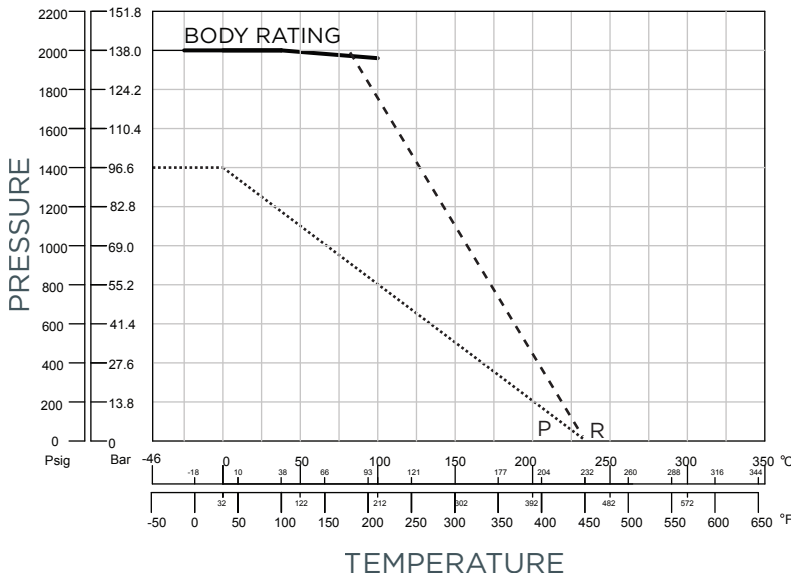


FEATURES	
SIZE:	1/4" - 2"
PORT:	FULL
PRESSURE:	2000 WOG
TEMPERATURE:	-50 TO 450 F°
CONNECTION:	FEMALE NPT

TECHNICAL SPECIFICATION	
NPT THREADS AS PER ASME B1.20.1	
BLOW-OUT-PROOF STEM DESIGN	
LOCKING HANDLE	
IN COMPLIANCE WITH NACE MR-0175	
SUITABLE FOR WATER, OIL & GAS	
SEAL WELDED BODY (ONLY FOR FIG. 2020SF)	

MATERIAL LIST		2020SF	2020CF
1	BODY	ASTM A351 Gr. CF8M	ASTM A216 Gr. WCB
2	BALL	SS316	SS304
3	CAP	ASTM A351 Gr. CF8M	ASTM A216 Gr. WCB
4	SEAT	RPTFE	RPTFE
5	BODY SEAL	NONE	RPTFE
6	STEM	SS316	SS304
7	STEM PACKING	VIRGIN PTFE	VIRGIN PTFE
8	HANDLE	SS201	SS201
9	HANDLE COVER	PVC	PVC
10	THRUST WASHER	RPTFE	VIRGIN PTFE
11	GLAND BUSHING	SS304	SS304
12	HANDLE WAHSER	SS304	SS304
13	HANDLE NUT	A2-70	A2-70
14	LOCKING PAD	SS201	SS201

TEST SPECIFICATION	
TEST ACCORDANCE TO PER	API 598
SHELL TEST:	3000 PSI
SEAT TEST:	2200 PSI
AIR TEST:	87 PSI



DIMENSIONS & WEIGHTS							
SIZE	A	B	C	D	E	F	WEIGHT (KG)
1/4"	2.17	0.43	2.09	3.90	1.10	12-24 UNC	0.29
3/8"	2.16	0.47	2.09	3.90	1.10	12-24 UNC	0.29
1/2"	2.44	0.59	2.28	4.13	1.10	1/4-20UNC	0.38
3/4"	3.07	0.79	2.48	4.69	1.38	1/4-20UNC	0.68
1"	3.54	0.98	3.07	6.10	1.38	1/4-20UNC	1.05
1 1/4"	3.86	1.26	3.15	6.18	1.38	1/4-20UNC	1.50
1 1/2"	4.65	1.50	3.62	6.77	1.46	1/4-20UNC	2.50
2"	5.35	1.89	3.94	8.66	1.46	1/4-20UNC	3.60

*DIMENSIONS ARE EXPRESSED IN INCHES
 *FOR DIMENSIONS C&D THERE IS A TOLERANCE OF ±.24 IN, FOR A ±.08 IN