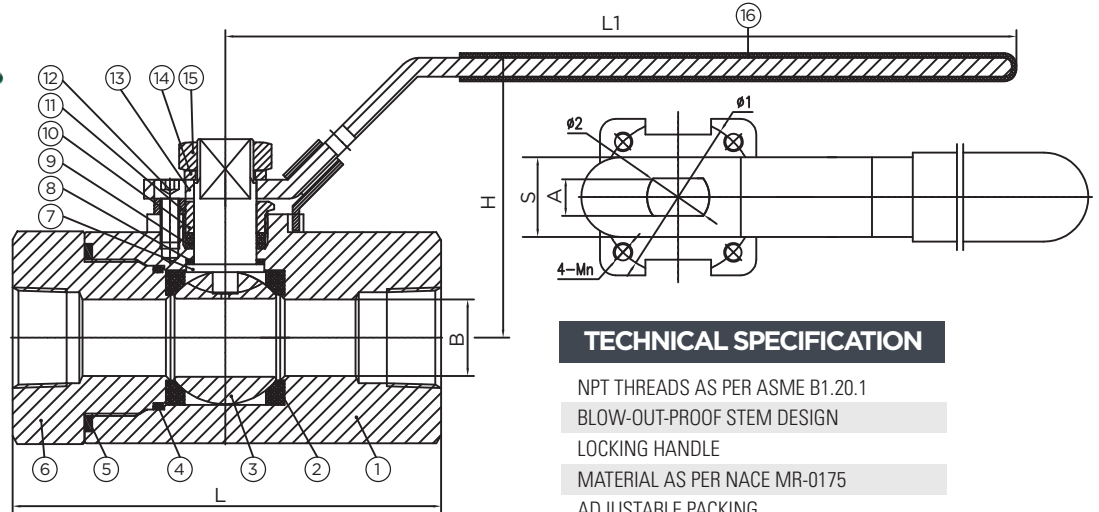


3000 PSI 2 PC FP BALL VALVE



FEATURES

SIZE:	1/4" - 2"
PORT:	FULL
PRESSURE:	3000 WOG
TEMPERATURE:	-22 TO 200 F°
CONNECTION:	FEMALE NPT

TECHNICAL SPECIFICATION

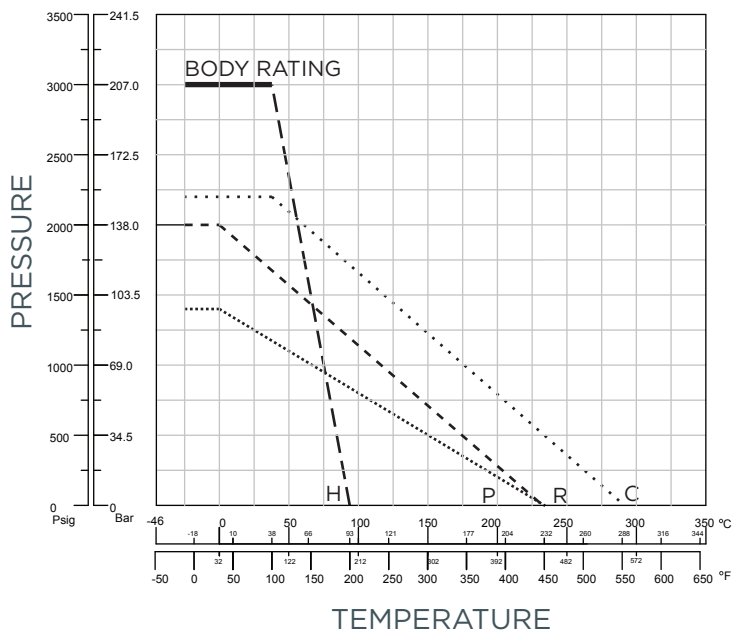
- NPT THREADS AS PER ASME B1.20.1
- BLOW-OUT-PROOF STEM DESIGN
- LOCKING HANDLE
- MATERIAL AS PER NACE MR-0175
- ADJUSTABLE PACKING
- ACTUATOR MOUNTING PAD
- FIRE TEST & CERTIFIED TO API 607 5TH EDITION
- SUITABLE FOR WATER, OIL & GAS

DIMENSIONS & WEIGHTS

SIZE	B	L	H	L1	Ø1	Mn	Ø2	A	S	WEIGHT (KG)
1/4"	0.39	3.86	2.36	5.79	1.42	M5	0.39	0.24	0.69	0.95
3/8"	0.39	3.86	2.36	5.79	1.42	M5	0.39	0.24	0.69	0.95
1/2"	0.51	3.86	2.36	5.79	1.42	M5	0.39	0.24	0.69	0.88
3/4"	0.75	4.25	2.80	7.56	1.65	M5	0.47	0.28	0.85	1.52
1"	0.96	5.39	3.46	7.28	1.65	M5	0.63	0.39	0.85	2.50
1 1/4"	1.26	5.39	3.70	8.98	1.97	M6	0.63	0.39	1.02	3.30
1 1/2"	1.50	6.30	4.53	10.55	2.76	M8	0.79	0.47	1.48	5.50
2"	1.89	6.30	5.43	1.46	2.76	M8	0.94	0.59	1.48	7.60

MATERIAL LIST

		3020SF	3020CF
1	BODY	ASTM A351 Gr. CF8M	ASTM A216 Gr. WCB
2	SEAT	DELRIN	DELRIN
3	BALL	SS316	SS316
4	O-RING	VITON	VITON
5	BODY SEAL	GRAPHITE	GRAPHITE
6	CAP	ASTM A351 Gr. CF8M	ASTM A216 Gr. WCB
7	STEM	SS316	SS316
8	THRUST WASHER	RPTFE	RPTFE
9	STEM PACKING	CPTFE	CPTFE
10	GLAND BUSHING	A2-70	A2-70
11	PIN COVER	SS304	SS304
12	PIN NUT	ASTM A193 Gr. B7	ASTM A193 Gr. B7
13	HANDLE	SS201	SS201
14	HANDLE WASHER	65Mn	65Mn
15	HANDLE NUT	A2-70	A2-70
16	HANDLE COVER	PVC	PVC



TEST SPECIFICATION

- TEST ACCORDANCE TO PER API 598
- SHELL TEST: 4500 PSI
- SEAT TEST: 3300 PSI
- AIR TEST: 87 PSI

- BODY RATING
-** P: VIRGIN PTFE
- R: 15% GLASS FILLED
-** C: CARBON FILLED PTFE
- H: DELRIN

*DIMENSIONS ARE EXPRESSED IN INCHES