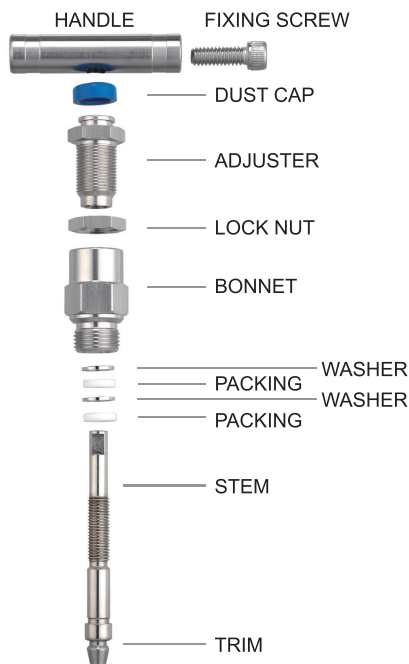


## MATERIAL OF CONSTRUCTION

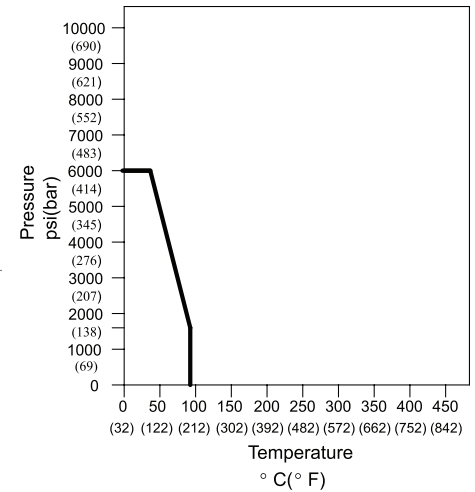
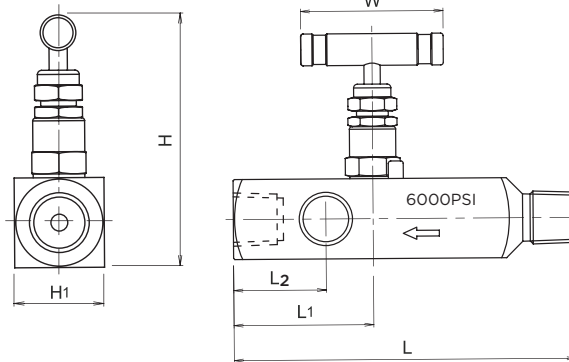


## FEATURES

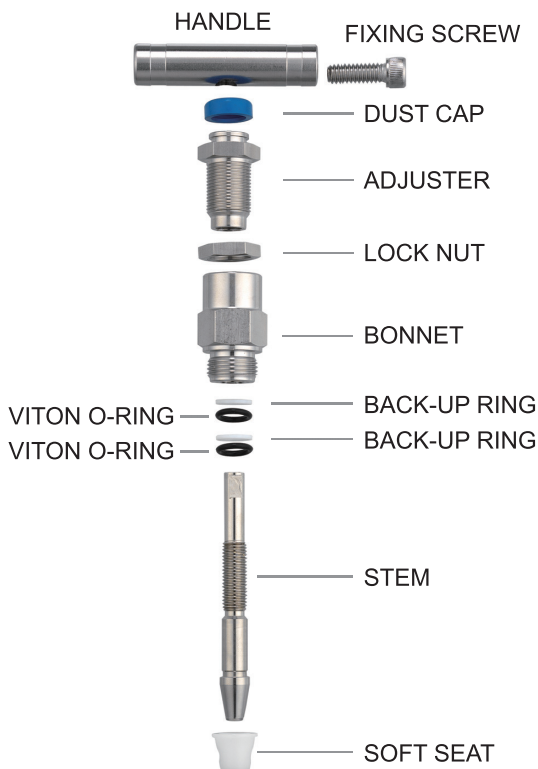
- Maximum working pressure: 10000 psi (414bar) at 100°F (38°C.)
- Working temperatures: -65°F (-54°C) to 464°F (240°C)
- Multiport gauge valves allow the versatile positioning of gauges of pressure switches without requiring additional penetration of the main piping.
- Standard configuration has a male 1/2" NPT intel and three 1/2"NPT female outlet ports.
- Available with metal seats or soft seats operating in dirty service with repetitive bubble tight shutoff.
- Compact design requires minimum space for operation and installation and realize cost saving to reduce the numbers of components and decrease possible leak points.
- Viton O-Ring can be adjusted to extend the valve lives.
- Non rotating stem design to reduce the galling and provide excellent seal on seat.
- Stem threads are rolled and lubricated to prevent galling and reduce operating torque.
- Sealing area below the threads protects from the contaminant by process and prevents lubricant washout.
- Safety back seating seal in fully open position to perform a secondary steam seal.
- Body to bonnet seal creates metal to metal constant and reliable compression.
- Bonnet lock pin prevents accidental removal while in service.
- Optional sour gas service conforms to Nace MR0175.
- Hydro test performed with pure water at 1.5 times of working pressure.
- 100% factory test.
- Material traceability

Size	Ends	L	L1	L2	H	H1	Bore	W
1/2" NPT	MXF	4.45	2.50	1.34	3.86	1.26	.19	2.24

Component	Valve Body Material	
	316L S.S.	Carbon Steel
Body	316L S.S./A479	Carbon Steel /A108
Bonnet	316L S.S./A479	Carbon Steel /A108
Stem	316L S.S./A276	304 S.S./A276
Adjuster	316L S.S./A276	Carbon Steel /A108
Lock Nut	316L S.S./A276	Carbon Steel /A108
Handle	303 S.S./A276	Carbon Steel /A108
Fixing Screw	302 S.S.	Zinc plated steel
Packing	PTFE	PTFE
Washer	316 S.S./A276	316 S.S./A276
Dust Cap	NBR	NBR
Lock Pin	303 S.S./A276	303 S.S./A276
Bleed Screw	316 S.S./A276	316 S.S./A276



## MATERIAL OF CONSTRUCTION



## FEATURES

- Maximum working pressure: 6000 psi (414bar) at 100°F (38°C.)
- Working temperatures: -20°F (-28°C) to 200°F (93°C)
- Multiport gauge valves allow the versatile positioning of gauges of pressure switches without requiring additional penetration of the main pipping.
- Standard configuration has a male 1/2" NPT intel and three 1/2"NPT female outlet ports.
- Available with metal seats or soft seats operating in dirty service with repetitive bubble tight shutoff.
- Compact design requires minimum space for operation and installation and realize cost saving to reduce the numbers of components and decrease possible leak points.
- Viton O-Ring can be adjusted to extend the valve lives.
- Non rotating stem design to reduce the galling and provide excellent seal on seat.
- Stem threads are rolled and lubricated to prevent galling and reduce operating torque.
- Sealing area below the threads protects from the contaminant by process and prevents lubricant washout.
- Safety back seating seal in fully open position to perform a secondary steam seal.
- Body to bonnet seal creates metal to metal constant and reliable compression.
- Bonnet lock pin prevents accidental removal while in service.
- Optional sour gas service conforms to Nace MR0175.
- Hydro test performed with pure water at 1.5 times of working pressure.
- 100% factory test.
- Material traceability

Component	Valve Body Material	
	316L S.S.	Carbon Steel
Body	316L S.S./A479	Carbon Steel /A108
Bonnet	316L S.S./A479	Carbon Steel /A108
Stem	316L S.S./A276	304 S.S./A276
Adjuster	316L S.S./A276	Carbon Steel /A108
Lock Nut	316L S.S./A276	Carbon Steel /A108
Handle	303 S.S./A276	Carbon Steel /A108
Fixing Screw	302 S.S.	Zinc plated steel
Packing	PTFE	PTFE
Washer	Viton	316 S.S./A276
Dust Cap	NBR	NBR
Lock Pin	303 S.S./A276	303 S.S./A276
Bleed Screw	Derlin	316 S.S./A276

Size	Ends	L	L1	L2	H	H1	Bore	W
1/2" NPT	MXF	4.45	2.50	1.34	3.86	1.26	.24	2.24