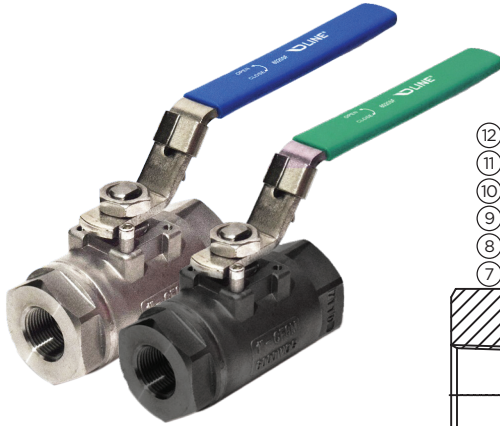
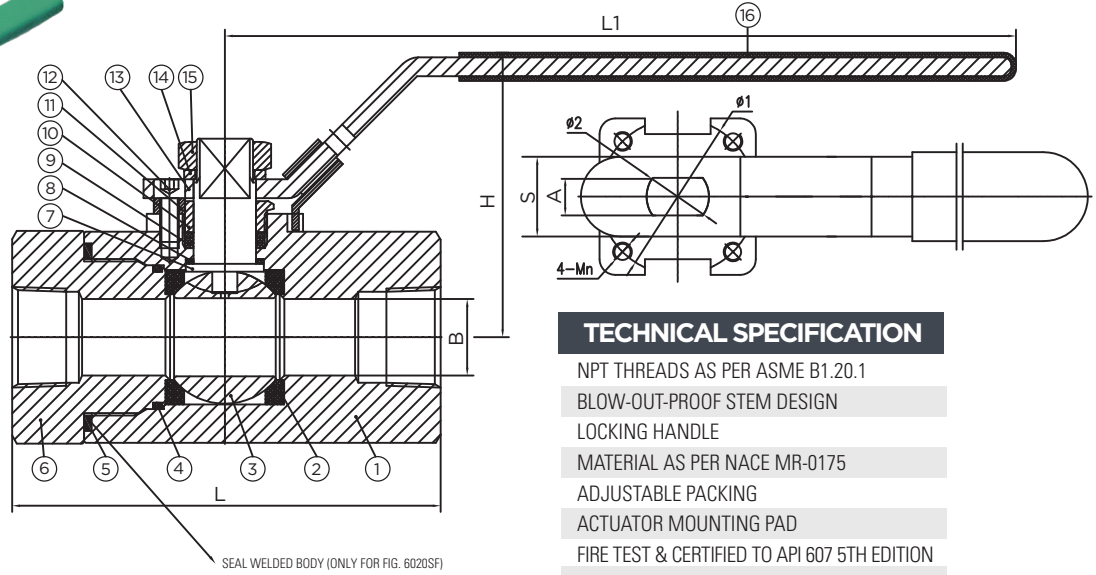


6000 PSI 2 PC FP BALL VALVE



FEATURES

SIZE:	1/4" - 2"
PORT:	1/4"-1 1/2" (FULL PORT) 2" REDUCED PORT
PRESSURE:	6000 WOG
TEMPERATURE:	-150 TO 500 F°
CONNECTION:	FEMALE NPT



TECHNICAL SPECIFICATION

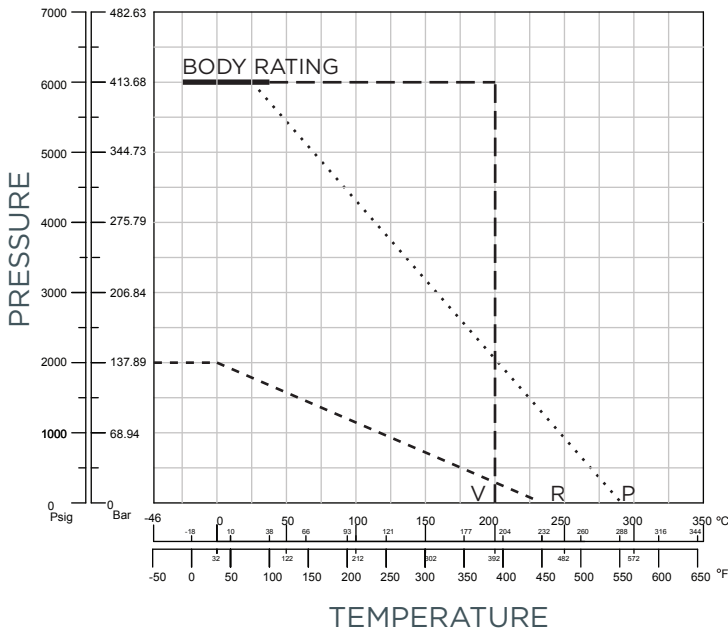
- NPT THREADS AS PER ASME B1.20.1
- BLOW-OUT-PROOF STEM DESIGN
- LOCKING HANDLE
- MATERIAL AS PER NACE MR-0175
- ADJUSTABLE PACKING
- ACTUATOR MOUNTING PAD
- FIRE TEST & CERTIFIED TO API 607 5TH EDITION
- SUITABLE FOR WATER, OIL & GAS
- SEAL WELDED (ONLY FOR FIG. 6020SF)

DIMENSIONS & WEIGHTS

SIZE	B	L	H	L1	Ø1	Mn	Ø2	A	S	WEIGHT (KG)
1/4"	0.39	4.37	2.71	5.90	1.41	M5	0.47	0.27	0.68	1.50
3/8"	0.39	4.37	2.71	5.90	1.41	M5	0.47	0.27	0.68	1.50
1/2"	0.51	4.37	2.71	5.90	1.41	M5	0.47	0.27	0.68	1.40
3/4"	0.74	4.37	3.38	7.48	1.65	M5	0.55	0.35	0.84	2.00
1"	0.98	5.39	3.74	9.84	1.65	M5	0.78	0.47	1.02	3.70
1 1/4"	1.25	5.39	3.74	9.64	1.96	M6	0.78	0.47	1.02	6.55
1 1/2"	1.49	6.29	5.31	14.56	2.75	M8	0.94	0.59	1.47	9.36
2"	1.49	6.29	5.43	14.56	2.75	M8	0.94	0.59	1.47	9.40

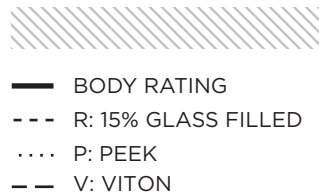
MATERIAL LIST

		6020SF	6020CF
1	BODY	ASTM A351 Gr. CF8M	ASTM A216 Gr. WCB
2	SEAT	PEEK	PEEK
3	BALL	SS316	SS316
4	O-RING	VITON	VITON
5	BODY SEAL	GRAPHITE	GRAPHITE
6	CAP	ASTM A351 Gr. CF8M	ASTM A216 Gr. WCB
7	STEM	SS316	SS316
8	THRUST WASHER	RPTFE	RPTFE
9	STEM PACKING	CPTFE	CPTFE
10	GLAND BUSHING	A2-70	A2-70
11	PIN COVER	SS304	SS304
12	PIN NUT	ASTM A193 Gr. B7	ASTM A193 Gr. B7
13	HANDLE	SS201	SS201
14	HANDLE WASHER	65Mn	65Mn
15	HANDLE NUT	A2-70	A2-70
16	HANDLE COVER	PVC	PVC



TEST SPECIFICATION

- TEST ACCORDANCE TO PER API 598
- SHELL TEST: 9000 PSI
- SEAT TEST: 6600 PSI
- AIR TEST: 87 PSI



*DIMENSIONS ARE EXPRESSED IN INCHES